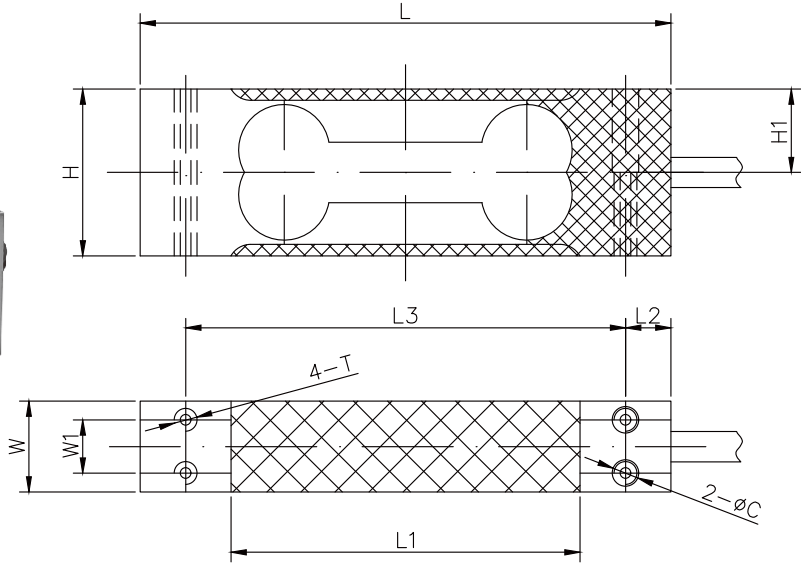
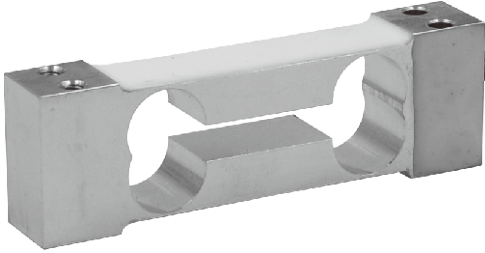


# 651E

ALUMINUM  
铝合金



## 尺寸 DIMENSIONS

Rate Capacity  
量程

	C	L	L1	L2	L3	W	W1	H	H1	T
kg/mm										
0.3-0.6	3.5	70	46	6	58	12	7	22	11	M3
lb/inches(conversion of above dimensions 由以上尺寸转换)										
0.66-13.2	0.14	2.76	1.81	0.24	2.28	0.47	0.28	0.87	0.43	M3

## 技术参数 SPECIFICATIONS

Full Scale Output 灵敏度输出	1.0 ± 20% mV/V	Recommended Excitation 使用电压	10V(15V Maximmm)
Zero Balance 零点输出	± 0.02mV/V	Reference Max.Platform Size 最大秤台尺寸	120*120mm
Nonlinearity 非线性	< ± 0.017%	Insulation Resistance 绝缘阻抗	> 2[50V DC]GΩ
Repeatability 重复性	< ± 0.017%	Nominal Temperature Range 工作温度	-10°C to 40°C / 14°F to 104°F
Hysteresis Error 滞后	< ± 0.017%	Safe Overload 安全过载	150% of full scale
Creep in 30 min 30分钟蠕变	< ± 0.008%    < ± 0.012%	Breaking Overload 极限过载	300% of full scale
Creep in 2 min 2分钟蠕变	< ± 0.0033%    < ± 0.005%	IP Rating 防护等级	IP66
Input Resistance 输入电阻	405Ω ± 15	Cable Color Code 颜色码	Exc(输入)+:Red(红);Exc(输入) -Black(黑);Sig(输出)+Green(绿); Sig(输出)-:Whit白 Shield Bare(屏蔽)
Outnput Resistance 输出电阻	350Ω ± 3		
Element Materia 材质	Aluminum 铝合金		

## 651E

Special Features  
特征

- ◆ 常温下, 分度值可高达60,000
- ◆ Up To 60,000 Divisions Shor Term Precision At Romm Temperature
- ◆ 角差修正
- ◆ Off-center load compensated
- ◆ 单点式台面
- ◆ Single point platform
- ◆ IP66防护
- ◆ IP66 protection