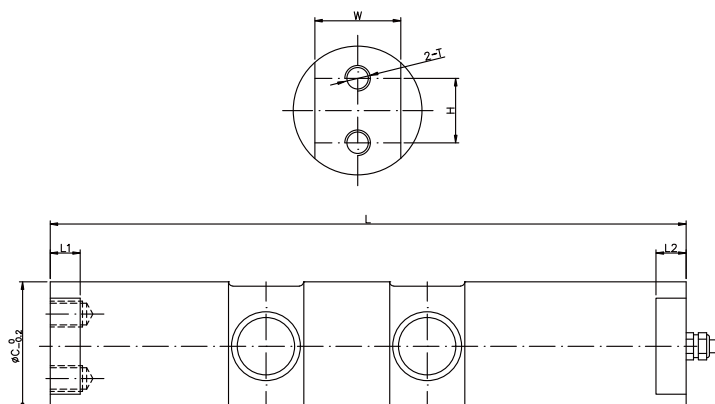


ALLOY STEEL / STAINLESS STEEL 合金钢/不锈钢



尺寸 DIMENSIONS

Rate Capacity

量程	C	L	L1	L2	W	H	T
t/mm							
30	60	296	14	14	40	30	M12×1.75
lb/inches (conversion of above dimensions 由以上尺寸转换)							
66138	2.36	11.65	0.55	0.55	1.57	1.18	M12×1.75

技术参数 SPECIFICATIONS

Full Scale Output 灵敏度输出	2.0 ± 10% mV/V	Recommended Excitation 使用电压	10V (15V Maximmm)
Zero Balance 零点输出	± 0.04 mV/V	Insulation Resistance 绝缘阻抗	> 2 [50V DC] G Ω
Nonlinearity 非线性	< ± 0.03%	Nominal Temperature Range 工作温度	-10°C to 40°C / 14°F to 104°F
Repeatability 重复性	< ± 0.03%		
Hysteresis Error 滞后	< ± 0.3%	Safe Overload 安全过载	150% of full scale
Creep in 30 min 30分钟蠕变	< ± 0.3%	Breaking Overload 极限过载	300% of full scale
Input Resistance 输入电阻	775 Ω ± 5	IP Rating 防护等级	IP67/IP68
Output Resistance 输出电阻	702 Ω ± 2	Cable Color Code 颜色码	Exc(输入)+: Red(红); Exc(输入) -Black(黑); Sig(输出)+Green(绿); Sig(输出)-: Whit(白) Shield Bare(屏蔽)
Element Materia 材质	Alloy steel/Stainless steel 合金钢/不锈钢		

711A

Special Features 特征

- ◆ 符合OIML认证指标
- ◆ 高精度
- ◆ 合金钢
- ◆ 易于安装, 性能稳定
- ◆ 合金钢/不锈钢
- ◆ Comply with OIML C3
- ◆ High accuracy
- ◆ Alloy steel construction
- ◆ Easy installation reliable performance
- ◆ Alloy/Stainless steel available